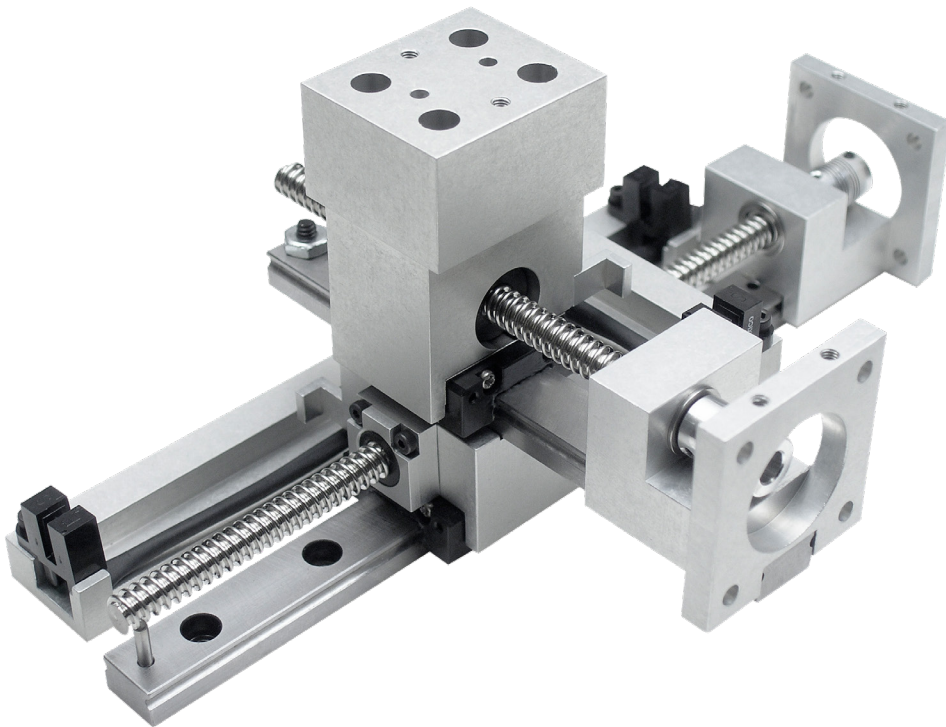


Precision Linear Motion Components

Custom Engineered Slides

Designed For Your Linear Motion
Application Solutions





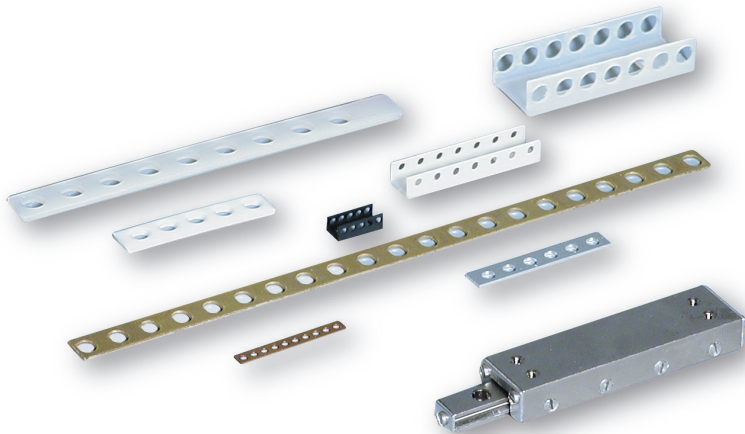
Del-Tron Precision, Inc.

Linear Motion Specialists



Integration:

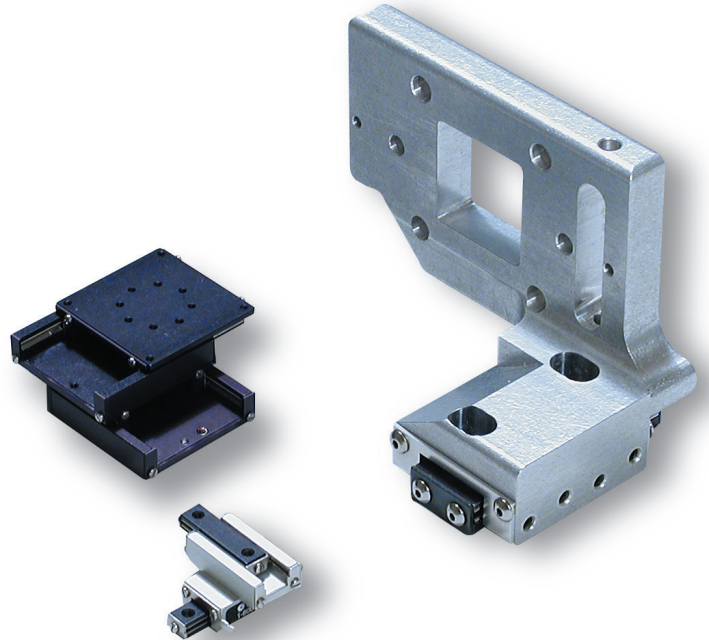
Del-Tron's Linear bearing design is simple and adaptable. The hardened steel bearing components are manufactured separately from the aluminum base and carriage. Because of this we can integrate our base or carriage into your design producing a linear bearing that is part of the subassembly instead of a discrete component. This serves to reduce parts, fasteners and tolerance buildup, simplifying design and assembly.



Modifications:

Del-Tron Precision performs modifications and develops prototype linear bearings quickly and cost effectively.

Through holes, dowel pins, special threads or locations, slots, and changes to height, width, length and travel are available to conform to whatever special need your application demands.



Material and finishes:

Many slide materials and components can be changed to suit a particular situation. Balls, rollers, shafts and preload bars are available in 52100 type bearing steel, corrosion resistant 400 series stainless steel, or non-magnetic 300 series stainless steel. Different types and colors of anodized finishes are also available.

High temperature applications:

Del-Tron slides can be modified to operate in elevated temperature areas by the substitution of teflon, aluminum or brass retainers.

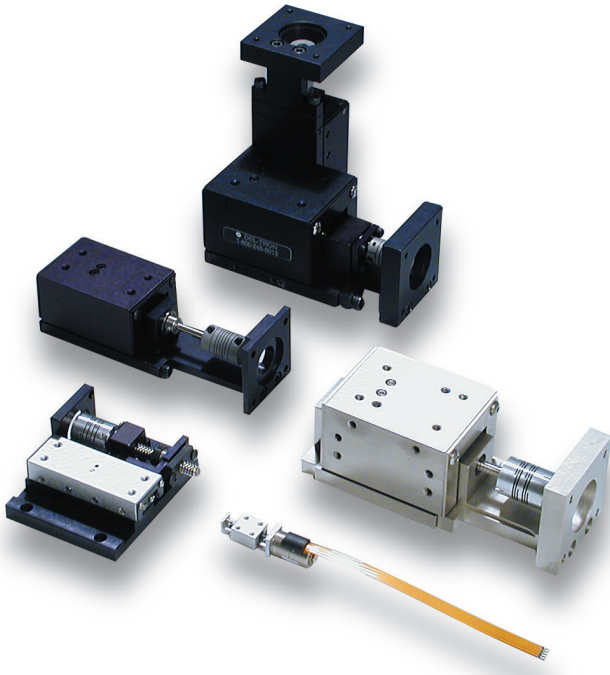
Vacuum applications:

Out-gassing of slide components can be reduced or eliminated for vacuum applications by eliminating anodized and oxidized finishes, labels, lubricants and non-metallic retainers

Static sensitive applications:

Del-Tron's "ESD" electro less nickel-plated linear bearings are made to ASTM standard B 733-97. The plating allows static charges to dissipate.

Call our Engineering Staff for assistance • 800-245-5013 • deltron.com

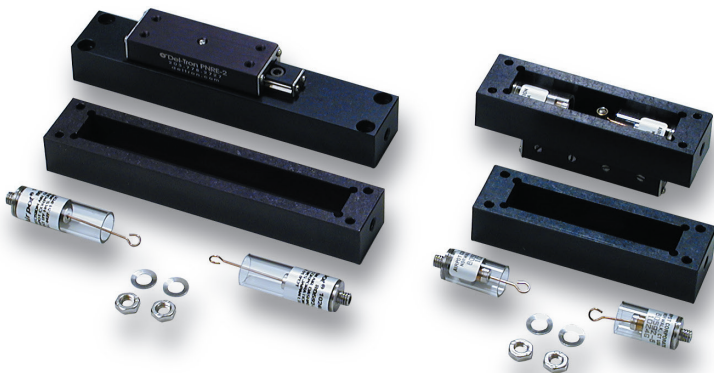
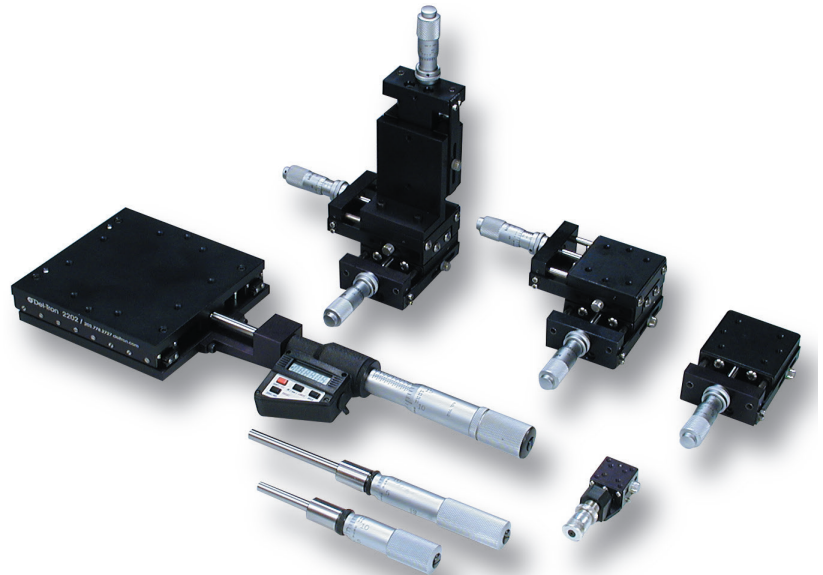


Lead Screw Drives:

"Posi-Drive" lead screw driven stages. Lead screws are a popular actuation method. Del-Tron can add external or internal lead screw or ball screw drive components to most of its slides. Couplings and motor mounts are included. Hand crank actuation is available as well as a large variety of motor mounts, leads and pitches.

Micrometer Head Drives:

One, two or three axis spring loaded positioning stages with ball or crossed roller bearing elements are available with a variety of options. Among these are locking micrometer heads, carriage locks and digital micrometer heads. Micrometer head drives locate and measure accurately to 0.001 or 0.0001. Ultra-Fine differential micrometer heads offer resolution of 0.002 per revolution, reduction up to 508 to 1.



Pneumatic Drives:

Friction free air actuators utilizing airpot pneumatic actuators are ultra low friction devices designed to provide precise, repeatable motion at very high or low speed without seals or lubrication. They run clean and operate over a wide temperature range with no change in performance. The PNRE series requires less than 10 PSI to operate.

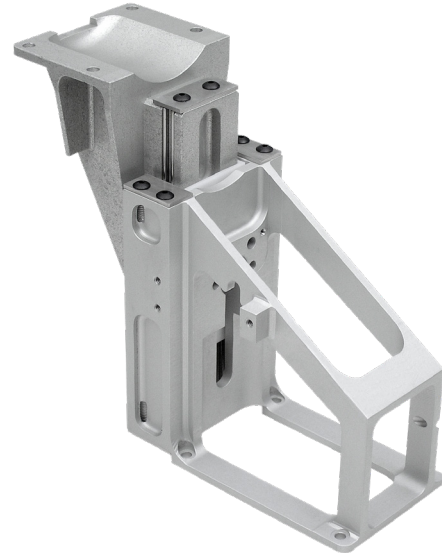


Custom Engineered Linear Motion Solutions

Many custom linear motion applications require special design. Del-Tron has the products, knowledge and expertise to help you design and achieve the perfect custom linear motion solution for your specific needs.



Utilizing our custom or standard linear slides, our knowledgeable engineers will provide you with immediate technical assistance, enabling you to find work-arounds to design and develop unique out-of-the-box solutions. You'll find we're always ready to help and offer personalized attention that's unparalleled in the industry. We expect you'll experience a level of responsiveness you just won't see anywhere else. Examples below demonstrate only a few of our engineering capabilities.



Based in the United States and with more than 40 years of experience, we have been providing our customers with design assistance, product prototyping and full service manufacturing for custom linear ball slides, custom crossed roller slides, custom positioning stages and complete linear positioning systems. Ranging anywhere from a standard ball or crossed roller slide requiring custom holes or special materials to a complex positioning system, Del-Tron can help.



**ISO 9001:2015 and
AS9100D Certified**

For additional information on how Del-Tron can solve your custom linear motion needs,

**Call: 800-245-5013 • email us: deltron@deltron.com
or visit us online: deltron.com**